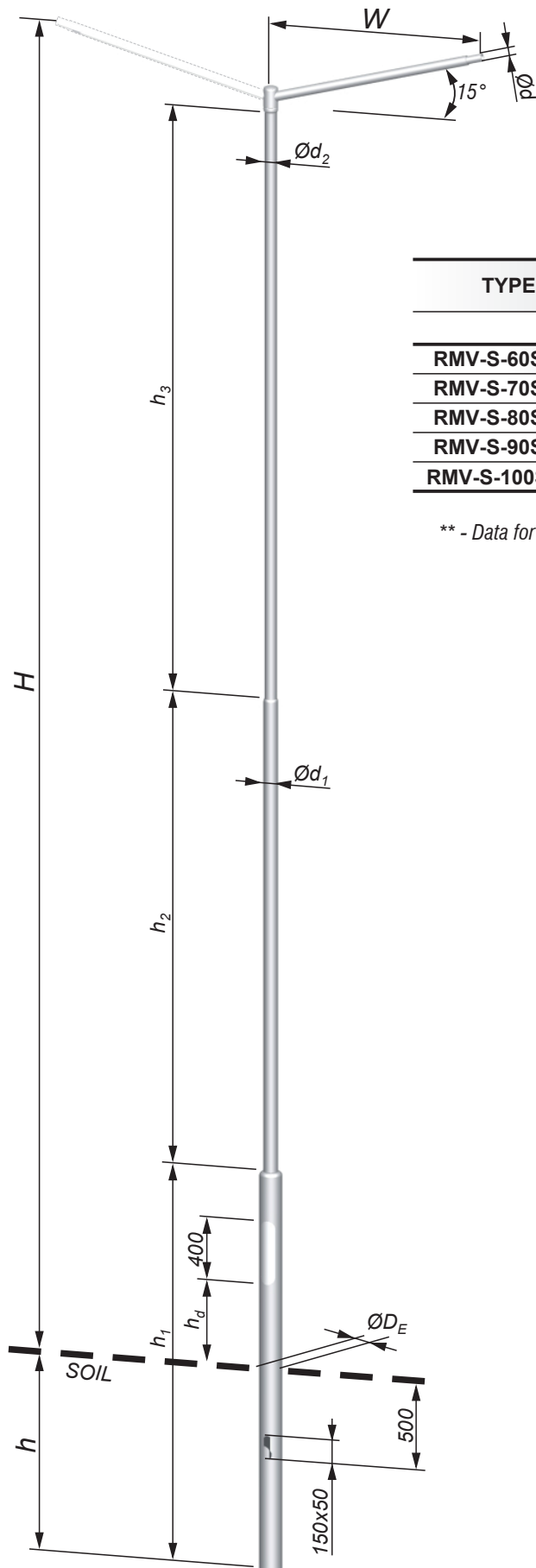


STREET
WELDED TUBULAR BRACKET TYPE, PLANTED IN SOIL



TYPE	H	h _d	Ød/D _E	Ød ₁	Ød ₂	h ₁	h ₂	h ₃	m**	h
	m	mm	mm	mm	mm	m	m	m	kg	m
RMV-S-60SRsG	6,0	400	48;60/127	89	76	2,2	2,0	3,0	63,3	1,2
RMV-S-70SRsG	7,0		48;60/127							
RMV-S-80SRsG	8,0	48;60/140								
RMV-S-90SRsG	9,0	600	48;60/159	114	89	3,0	4,0	3,5	118,6	1,5
RMV-S-100SRsG	10,0		48;60/168							

** - Data for single arm brackets.



product certification



Our compliance with the European Community directives and harmonised standards has been certified and proven by the right to use the CE mark.